

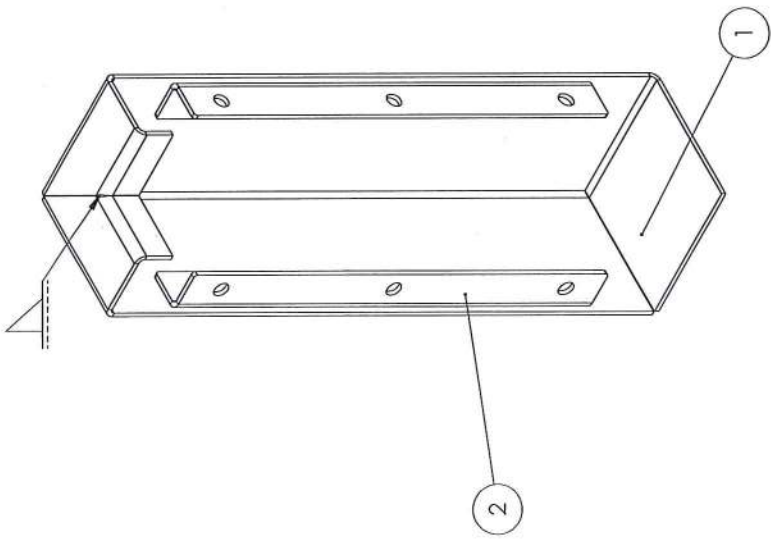
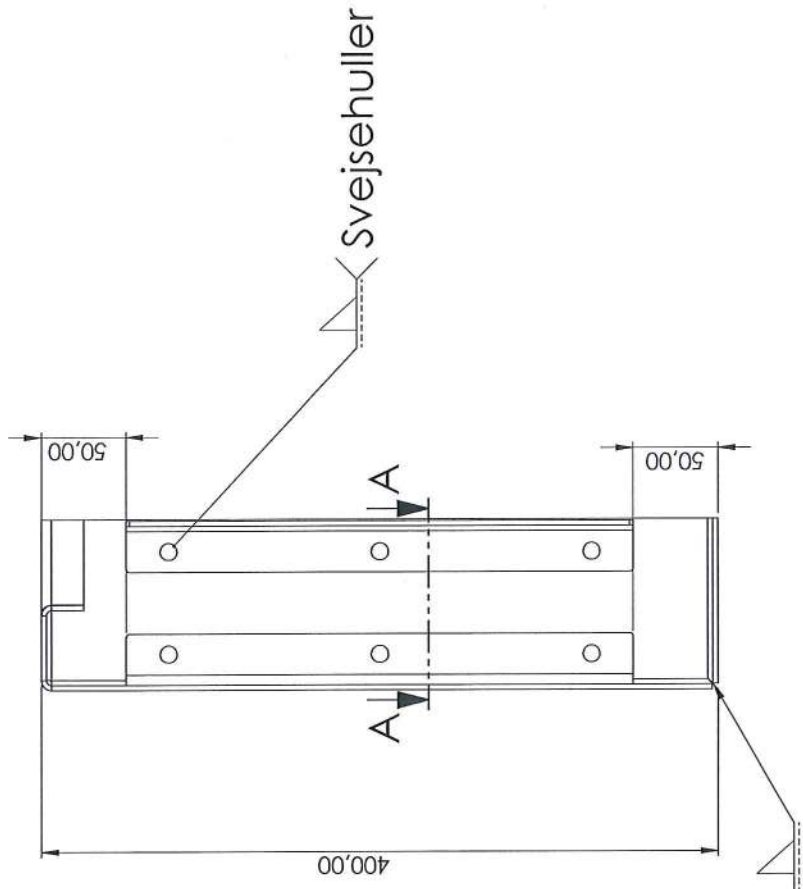
Pris liste Plantekasser

	Kr./del	inkl. Moms
300-400-001	146	182,50
300-500-001	155	193,75
393-660-100	87	108,75
496-551-100	71	88,75
500-400-001	176	220,00
800-500-001	244	305,00
850-548-100	108	135,00
1300-500-001	333	416,25
1800-500-001	422	527,50
Svejs 400 mm	110	137,50
Svejs 500 mm	137,5	171,88
Hjørne højde 400	103	128,75
Hjørne højde 500	110	137,50

Boltet Plantekasse 500x500x400	996	1245
Boltet Plantekasse 700x700x400	1116	1395
Boltet Plantekasse 1000x500x500	1238	1548
Boltet Plantekasse 1000x1000x500	1416	1770
Boltet Plantekasse 1500x500x500	1416	1770
Boltet Plantekasse 2000x500x500	1594	1993

Svejst Plantekasse Konus 4 sider	724	905
Svejst Plantekasse Konus 3 sider	654	818
Svejst Plantekasse 400x400x500	898	1123

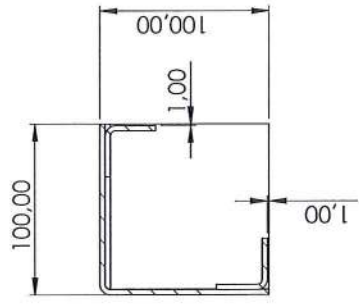
Fremstilling udføres jf. EN 1090-2:2018 - EXC 1
 Alle svejsninger udføres som følgende:
 - Jf. Angivelser på tegning - Ved tvivl kontaktes konstruktør
 - Visuel kontrol jf. EN ISO 5817 niv. C



ITEM NO.	PART NUMBER	DESCRIPTION	QTY.
1	560x195-100	560x195 pl3 corten	1
2	300x55-100	30x30x3 vinkel for samling	2

Mål uden direkte toleranceangivelse er i henhold til DS/EN 22768-mL og DS/EN ISO 13920-AE
 Dimensions without specified tolerances according to EN 22768-mL and EN ISO 13920-AE

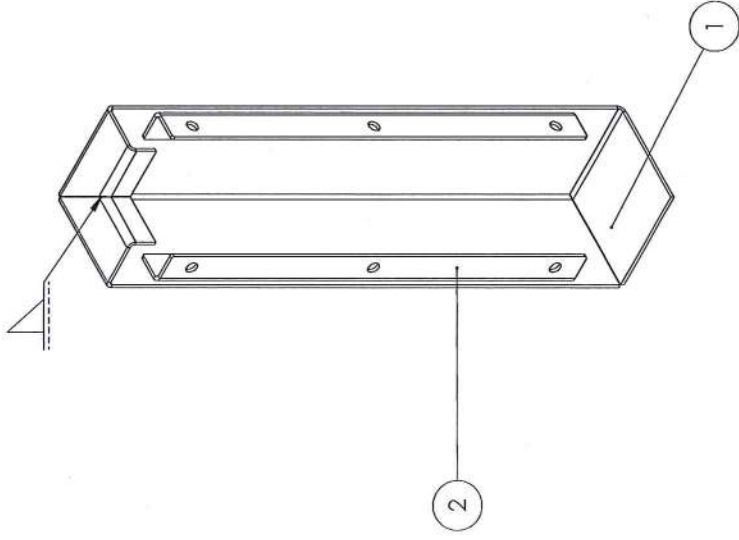
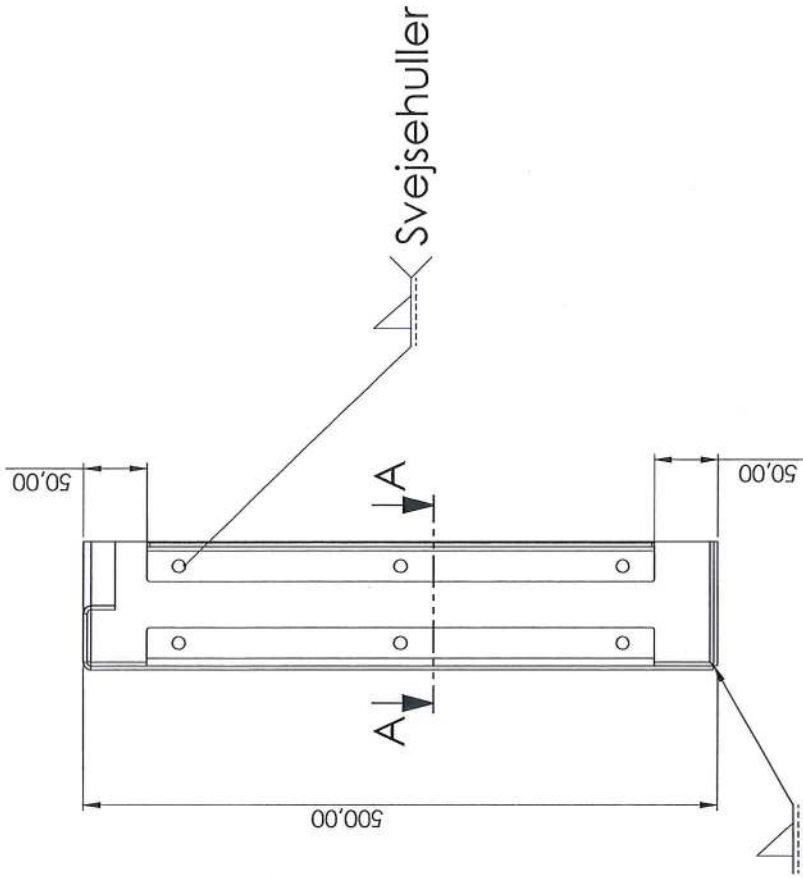
Antal	2.981	Material	X	Dimensions shown in mm unless otherwise specified	Metric	Overfladebehandling	Ra1/Glass
Scale	1:3	Created date	14-02-2024	Created by	PO		
				Svejst hjørnesamling- 400mm Corten plantekasser			
Format	A3	Drawing no.	Hjørne 400mm_plantekasse-0011	Sheet	1		



SECTION A-A

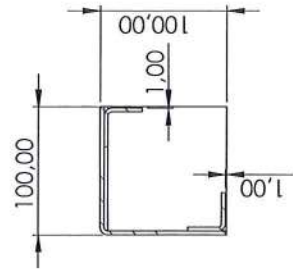
WARNING: PROPRIETARY AND CONFIDENTIAL INFORMATION.
 This document and the information set forth herein are confidential and proprietary to Uniktek AS. It contains trade secrets and independent economic value, actual or potential, may be derived from the document/information being generally known, in consideration of you receiving this document you agree (i) to keep the information secret (ii) only to use the information for the purposes intended by Uniktek AS and (iii) not to disclose, copy, reproduce, disseminate, or distribute the information to any third party and (iv) not to make copies or reproductions thereof by whatsoever means or undertake any qualitative or quantitative analysis, reverse engineering or replication.

Fremstilling udføres jf. EN 1090-2:2018 - EXC 1
 Alle svejsninger udføres som følgende:
 - Jf. Angivelser på tegning - Ved tvivl kontaktes konstruktør
 - Visuel kontrol jf. EN ISO 5817 niv. C



ITEM NO.	PART NUMBER	DESCRIPTION	QTY.
1	660x195-100	660x195 pl3 corten	1
2	400x55-100	30x30x3 vinkel for samling	2

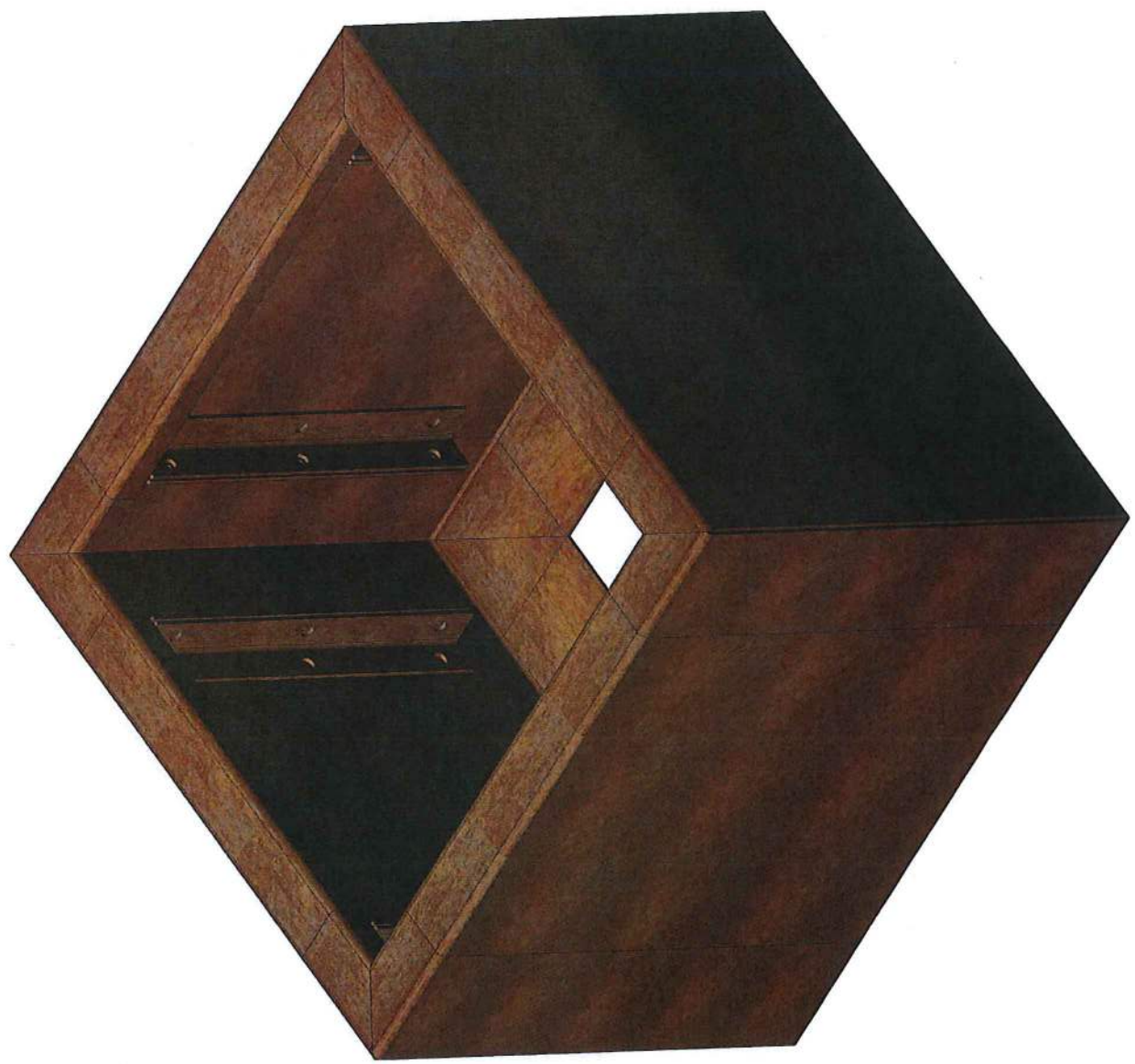
Mål uden direkte tolerancespecifikation er i henhold til DS/EN 22788-mL og DS/EN ISO 13920-AE Dimensions without specific tolerances according to EN 22788-mL and ISO 13920-AE	
Format A3	Oversigtsbehandling SolidWorks
Dimensioner vist i mm Scale 1:4	Dato for oprettelse 18-02-2024
Målestok 3:696	Oprettet af PO
X	Udarbejdet af PO
MS UNITEK Højmesamling_500mm Corten plantekasser	
Format A3	Tegning nr. Højme 500mm_plantekasse-001
Side 1	Totalt antal 1



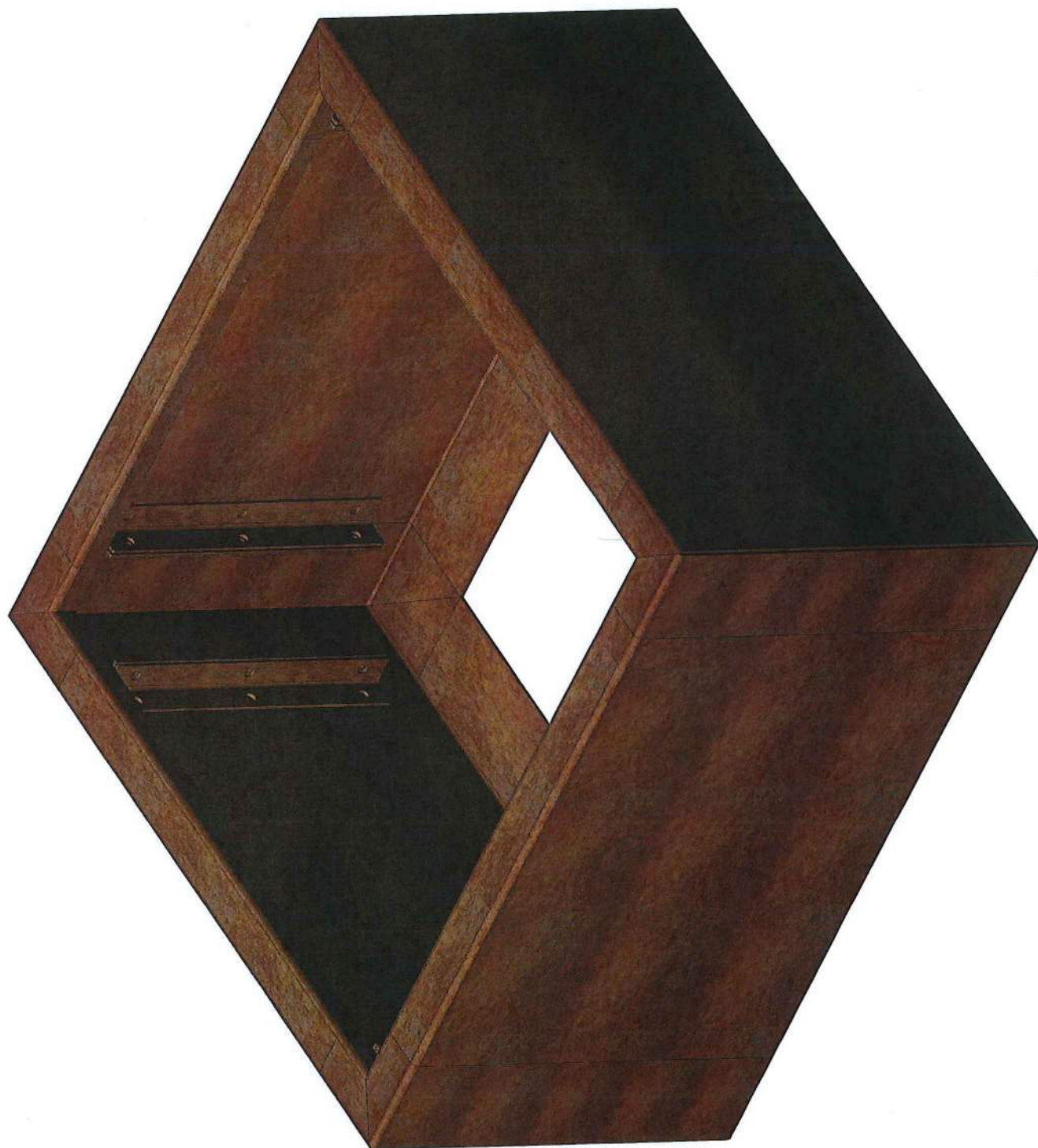
SECTION A-A

WARNING: PROPRIETARY AND CONFIDENTIAL INFORMATION.
 This document and the information set forth herein are confidential and proprietary to Unitek AS. It contains trade secrets and independent economic value, actual or potential, may be derived from the document/information being generally known. In consideration of you receiving this document you agree (i) to keep the information secret (ii) only to use the information for the purpose specifically agreed with Unitek AS (iii) not to disclose directly or indirectly any part of the information to any third party and (iv) not to make copies or reproductions thereof by whatever means or undertake any qualitative or quantitative analysis, reverse engineering or replication.

Plantekasse 500*500*400 mm.



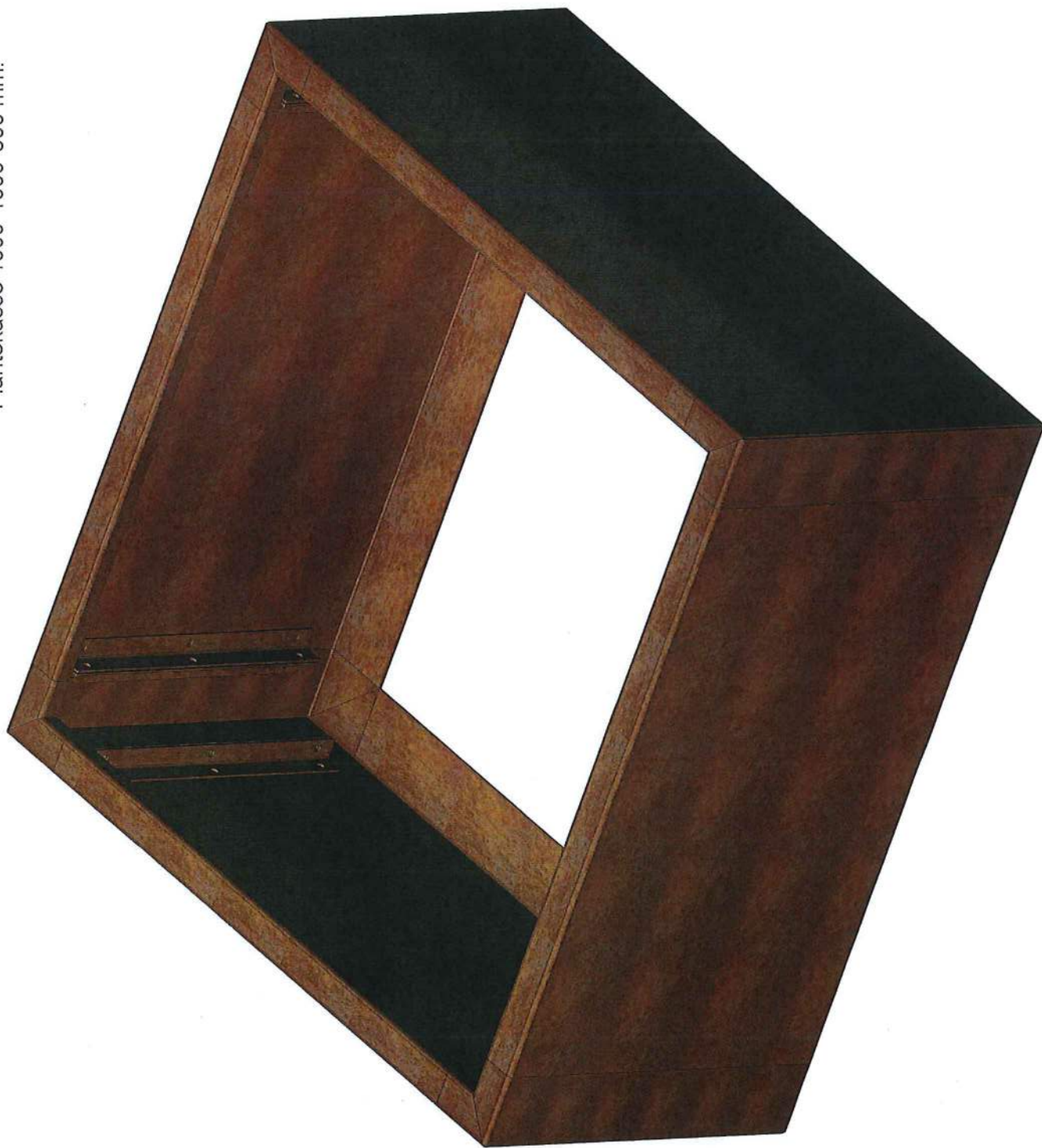
Plantekasse 700*700*400 mm.



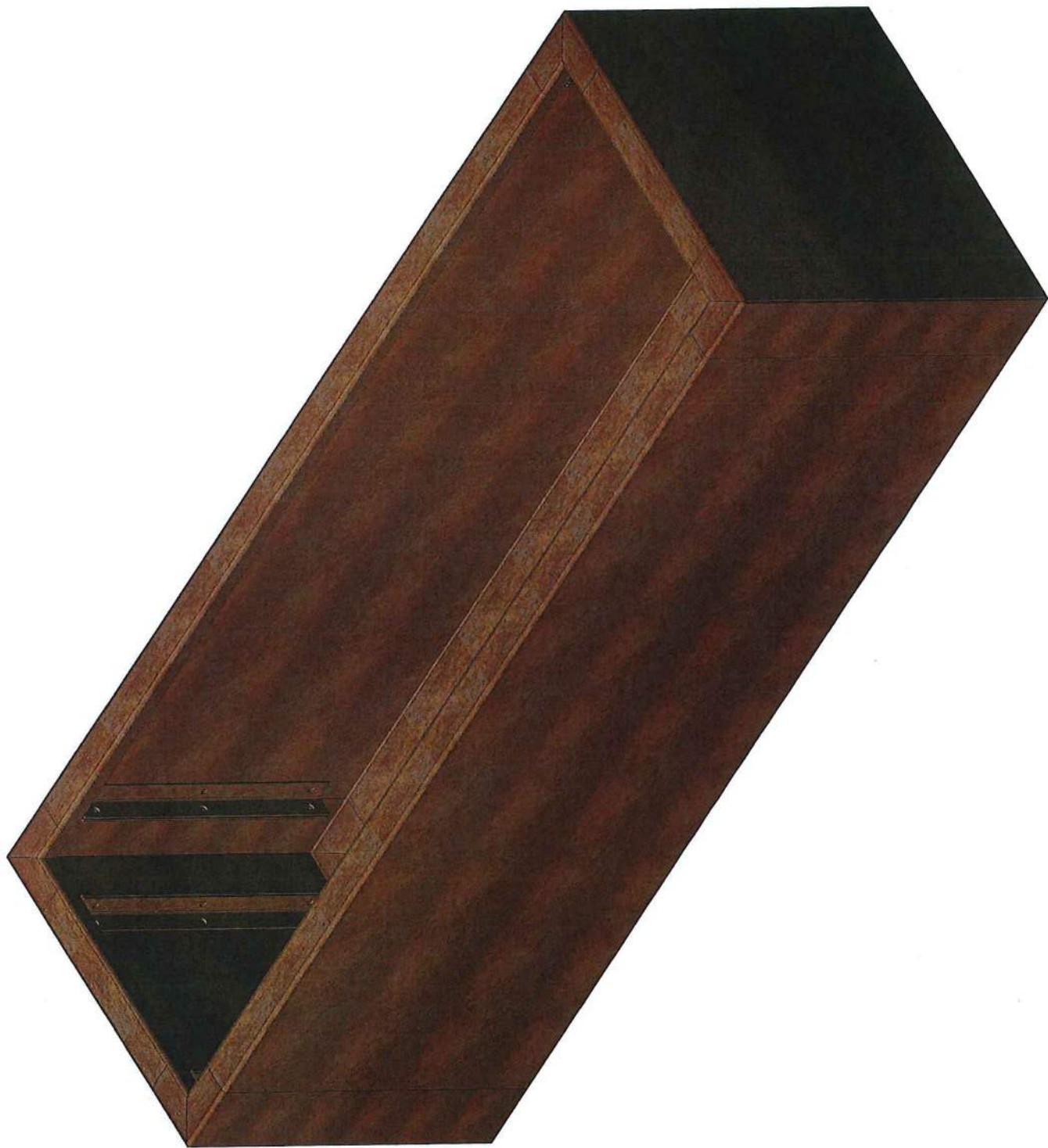
Plantekasse 1000*500*500 mm.



Plantekasse 1000*1000*500 mm.



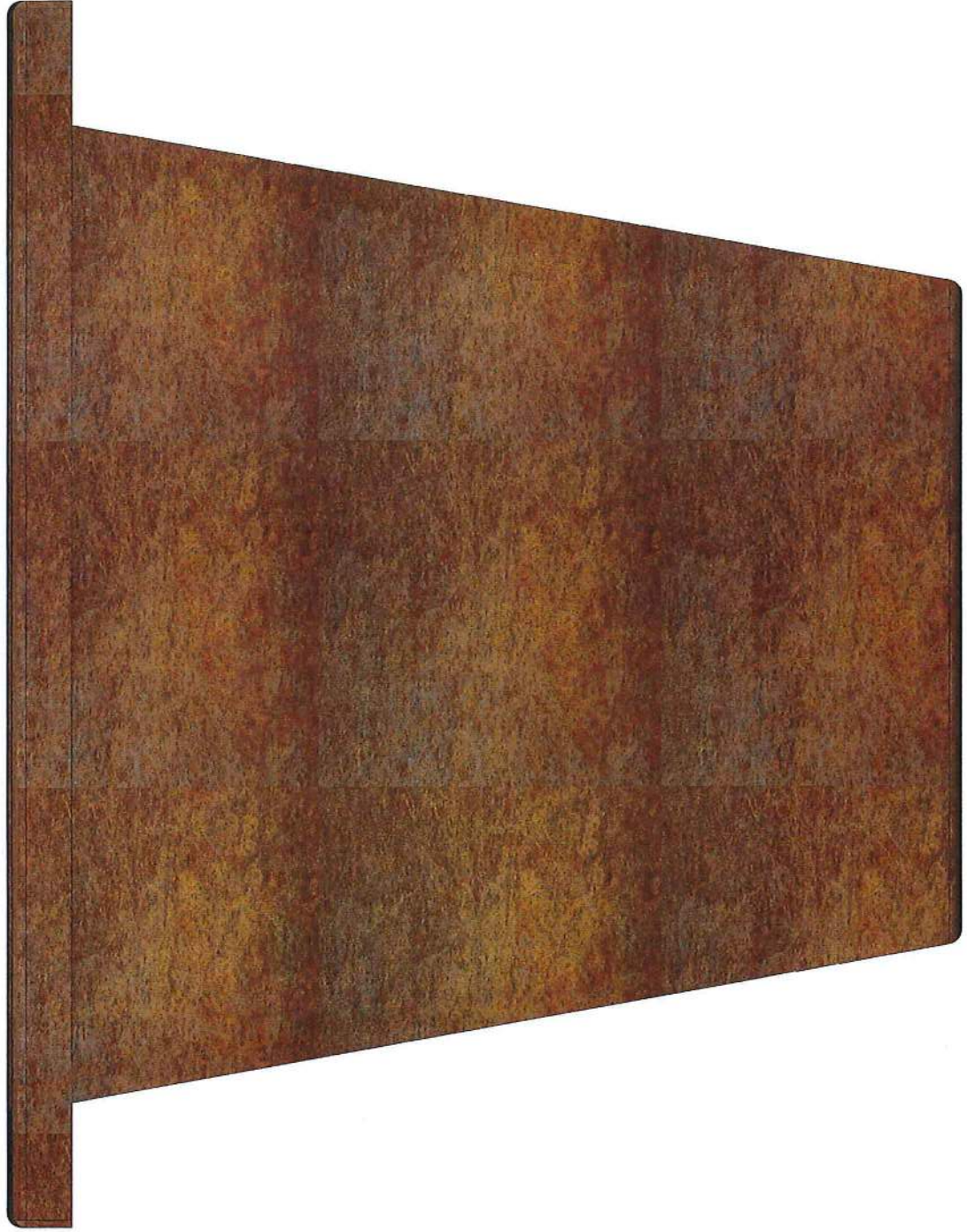
plantekasse 1500*500*500 mm.



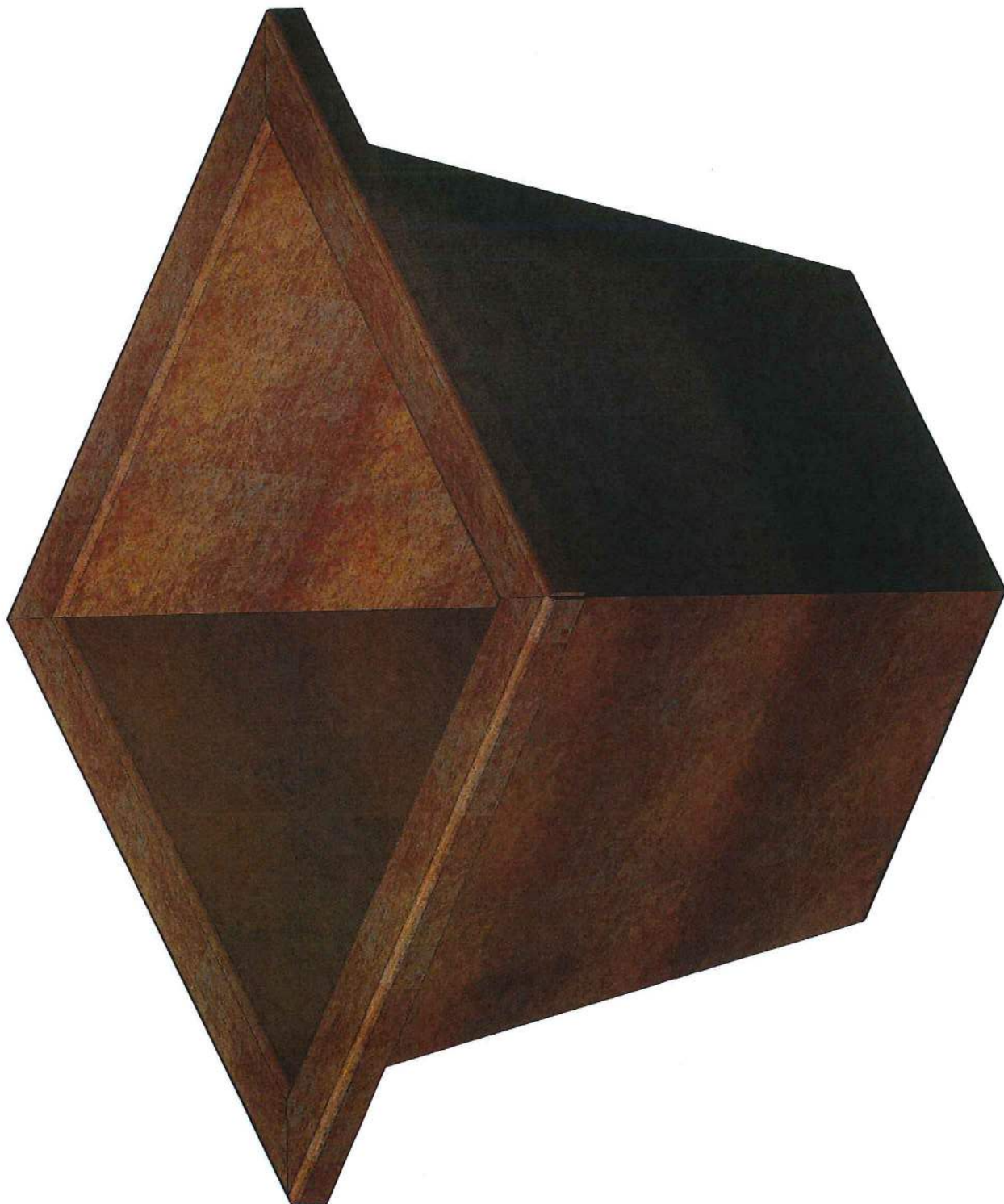
samlet plantekasse 2000*500*500 mm



Plantekasse 300/400 * 300/400 * 400 mm.



Konisk plantekasse 300/400*300/400*400 mm.



plantekasse 3 kantet 300/400 * 400 mm.



Svejst plantekasse 400*400*500 mm.

