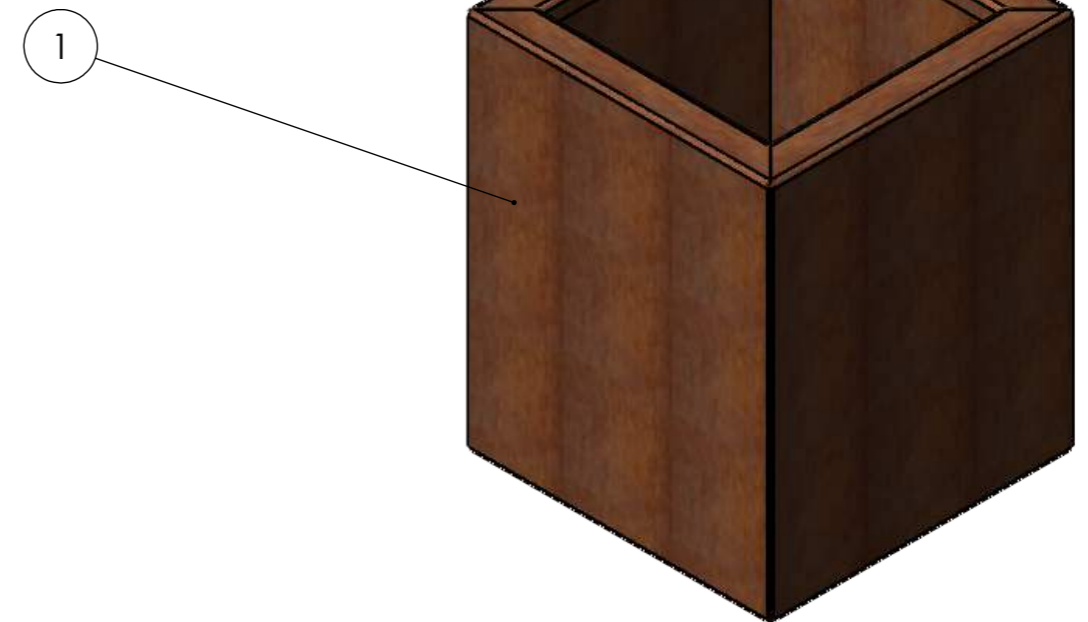
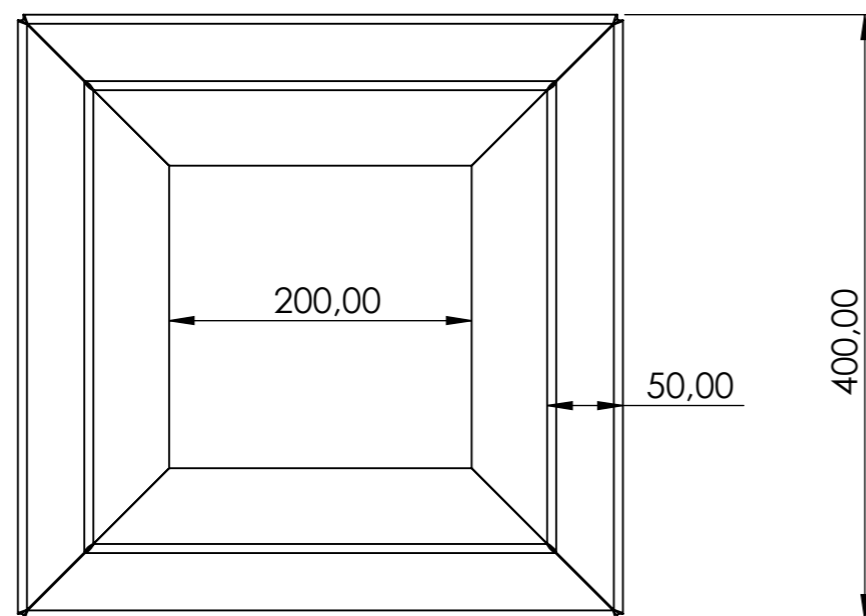
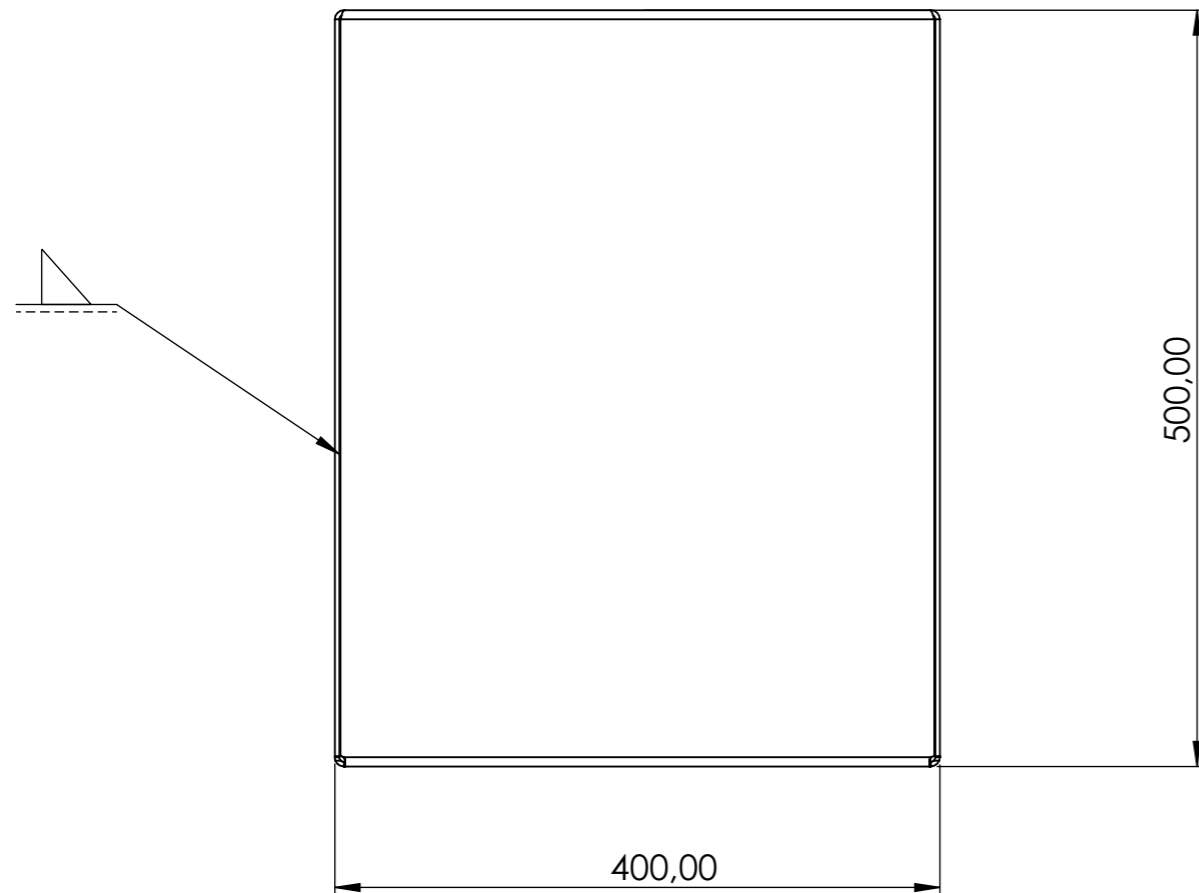



Fremstilling udføres jf. EN 1090-2:2018 - EXC 1  
 Alle svejsninger udføres som følgende:  
 - Jf. Angivelser på tegning - Ved tvivl kontaktes konstruktør  
 - Visuel kontrol jf. EN ISO 5817 niv. C



ITEM NO.	PART NUMBER	DESCRIPTION	QTY.
1	393x660-100	393x660 pl3 corten	4

Mål uden direkte toleranceangivelse er i henhold til DS/EN 22768-mL og DS/EN ISO 13920-AE  
 Dimensions without specified tolerances according to EN 22768-mL and EN ISO 13920-AE

Antal 1	Mass (kg) 23.01	Material x	Metric Dimensions shown in mm unless otherwise specified	Overfladebehandling	Ral/Glans
		Scale 1:5	Created date 18-02-2024	Created by PO	
Item			Svejst plantekasse 400x400x500 Corten plantekasser		
Format A3	Drawing no. Svejst plantekasse 400x400x500-001		Sheet 1 of 1		

WARNING: PROPRIETARY AND CONFIDENTIAL INFORMATION.  
 This document and the information set forth herein are confidential and proprietary to Unitek A/S. It contains trade secrets, and independent economic value, actual or potential, may be derived from the document/information being generally known. In consideration of you receiving this document you agree (I) to keep the information secret (II) only to use the information for the purpose specifically agreed with Unitek A/S (III) not to disclose directly or indirectly any part of the information to any third party and (IV) not to make copies or reproductions thereof by whatsoever means or undertake any qualitative or quantitative analysis, reverse engineering or replication.